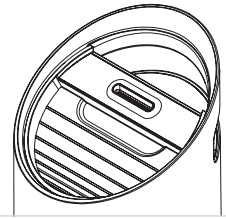


TruSens™

N-200

WELCOME TO COMFORTABLE INDOOR AIR.

Control your air and achieve your optimal humidity with TruSens. Real-time feedback from a remote SensorPod™ helps your humidifier monitor and adjust to your ideal moisture levels.



EN

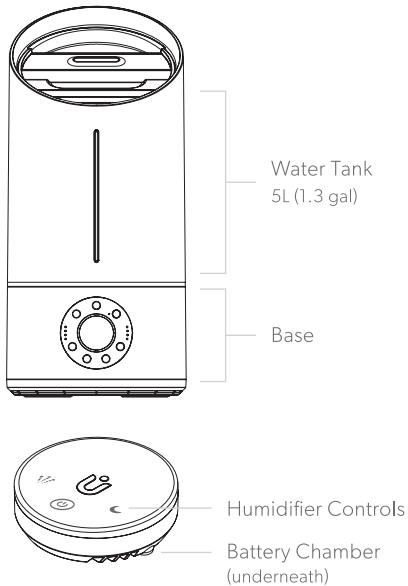


WARNING

Before operation, follow these steps and read our [TruSens Owner's Manual](http://www.trusens.com/support/owners-manuals/) at www.trusens.com/support/owners-manuals/

Included in your box

- 1 Humidifier + Power Cord
- 1 SensorPod + 2 AAA Batteries
- 1 Water Filter
- 1 Absorbent Aromatherapy Pad



Directions for use

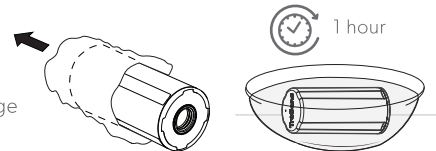


WARNING

Always unplug the humidifier before removing the water tank. Empty all water before cleaning water tank, replacing filter or moving the humidifier. Only place the water tank on a hard, solid surface; do not place on carpeting.

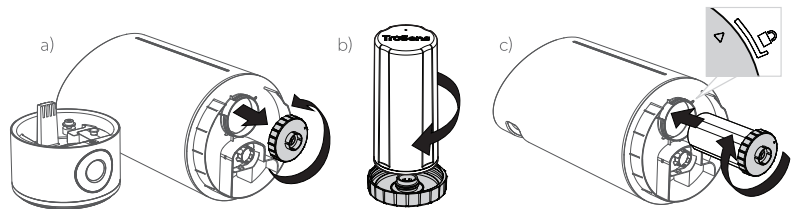
1) Prepare the water filter

Remove plastic bag from filter.
For optimal performance, submerge filter in bowl of water for 1 hour.



2) Install the water filter

a) Unscrew gray cap. b) Secure the filter onto gray cap. c) **Tightly secure gray cap with filter onto water tank until indicator meets lock symbol.** Failure to properly tighten gray filter cap may result in leaking. Return water tank on top of base.



3) Fill the water tank

Remove water tank lid and fill with room temperature water (preferably distilled) with pitcher.

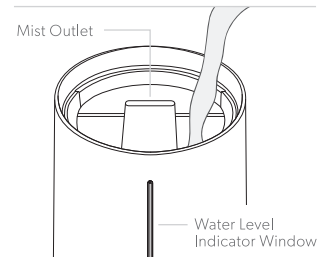


WARNING

Do not pour water into the mist outlet or directly into the base/reservoir.



CAUTION: Heavy object. To avoid injury always fill tank from the top and use care when lifting.



4) Set up

Place humidifier on a dry, firm, flat surface that is free from obstructions.

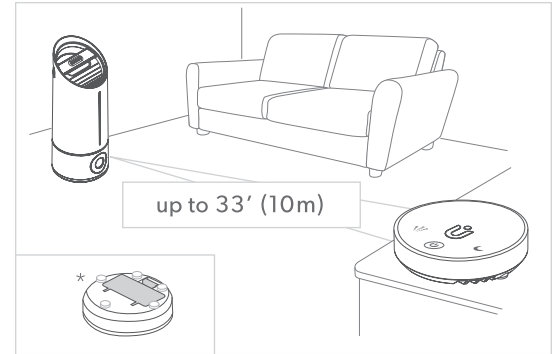
Note: Failure to properly tighten gray filter cap may result in leaking.

Open lid of battery chamber found on SensorPod (bottom) and insert 2 AAA batteries (provided).*

SensorPod will automatically begin monitoring if humidifier is on.

For optimal results, place SensorPod on a tabletop or counter across the room, within line of sight of the humidifier.

Control the humidifier with the touch buttons on SensorPod.



Control Panel

| Power: on/off

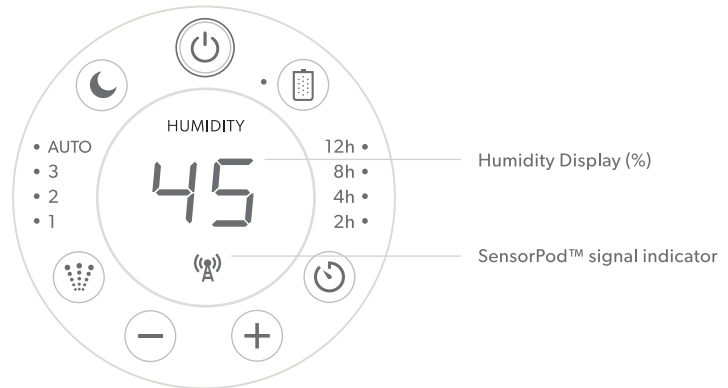
| Filter Change Indicator

| Timer: 2h/4h/8h/12h

-/+ | Target Humidity: decrease/increase

| Misting Speed Settings: 1/2/3/AUTO

| Dimmer: on/off



Humidity Display (%)

SensorPod™ signal indicator

Aromatherapy Use

Locate the Aromatherapy Tray (back of the base) and pull down the lid. Add a few drops of essential oil* to the absorbant aromatherapy pad (provided) and close tray.

* Only use 100% natural essential oils.



WARNING

Do not add essential oils to the water tank. Do not use synthetic fragrances.

Cleaning Instructions

We recommend you clean weekly for optimal performance. Refer to Owner's Manual for detailed instructions.



WARNING

Unplug the humidifier before cleaning.

Filter Replacement

Filter Type	Suggested Replacement	Item Number
Water Filter	4 months*	WSF300-01

*Filter Change Indicator on control panel will glow red to notify you to change.

Change the water filter before restarting after long periods of non-use.



N-200

support@trusens.com | 1-833-TRUSENS (1-833-878-7367)

Support and Warranty Terms at www.trusens.com

Scan for Support

