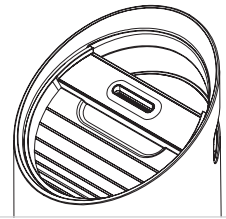


# TruSens™

## N-300

WELCOME TO COMFORTABLE INDOOR AIR.

Control your air and achieve your optimal humidity with TruSens. Real-time feedback from a remote SensorPod™ helps your humidifier monitor and adjust to your ideal moisture levels.



EN

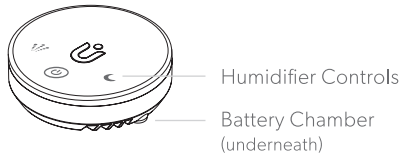
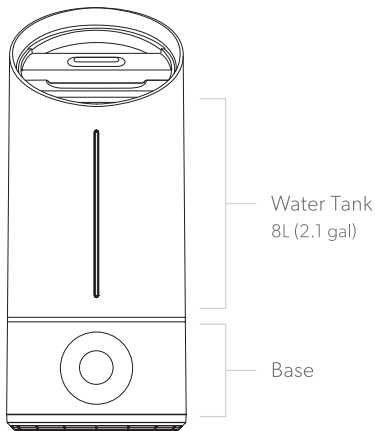


### WARNING

Before operation, follow these steps and read our [TruSens Owner's Manual](http://www.trusens.com/support/owners-manuals/) at [www.trusens.com/support/owners-manuals/](http://www.trusens.com/support/owners-manuals/)

### Included in your box

- 1 Humidifier + Power Cord
- 1 SensorPod + 2 AAA Batteries
- 1 Water Filter
- 1 Absorbent Aromatherapy Pad



### Directions for use

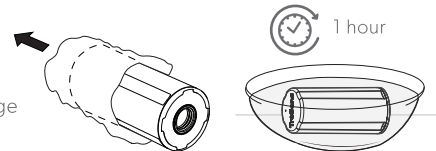


### WARNING

Always unplug the humidifier before removing the water tank. Empty all water before cleaning water tank, replacing filter or moving the humidifier. Only place the water tank on a hard, solid surface; do not place on carpeting.

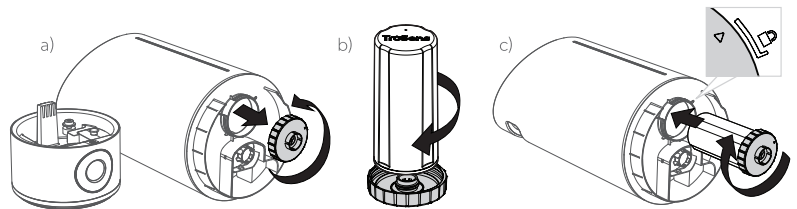
### 1) Prepare the water filter

Remove plastic bag from filter. For optimal performance, submerge filter in bowl of water for 1 hour.



### 2) Install the water filter

a) Unscrew gray cap. b) Secure the filter onto gray cap. c) **Tightly secure gray cap with filter onto water tank until indicator meets lock symbol.** Failure to properly tighten gray filter cap may result in leaking. Return water tank on top of base.



### 3) Fill the water tank

Remove water tank lid and fill with room temperature water (preferably distilled) with pitcher.

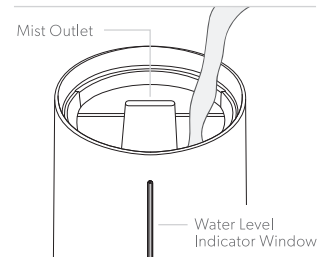


### WARNING

Do not pour water into the mist outlet or directly into the base/reservoir.



**CAUTION:** Heavy object. To avoid injury always fill tank from the top and use care when lifting.



### 4) Set up

Place humidifier on a dry, firm, flat surface that is free from obstructions.

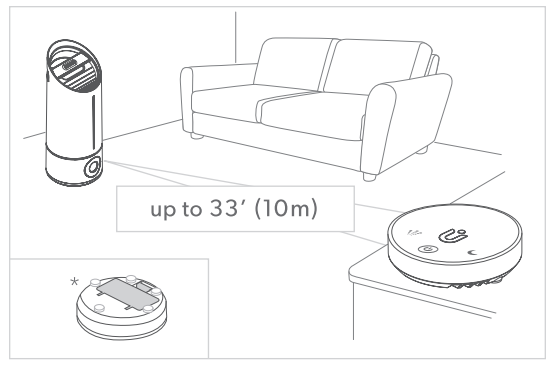
Note: Failure to properly tighten gray filter cap may result in leaking.

Open lid of battery chamber found on SensorPod (bottom) and insert 2 AAA batteries (provided).\*

SensorPod will automatically begin monitoring if humidifier is on.

For optimal results, place SensorPod on a tabletop or counter across the room, within line of sight of the humidifier.

Control the humidifier with the touch buttons on SensorPod.



### Control Panel

- | Power: on/off
- | Warm Mist: on/off
- | Timer: 2h/4h/8h/12h
- /+ | Target Humidity: decrease/increase
- | Filter Change Indicator
- | Misting Speed Settings: 1/2/3/AUTO
- | Dimmer: on/off



Humidity Display (%)

SensorPod™ signal indicator

### Aromatherapy Use

Locate the Aromatherapy Tray (back of the base) and pull down the lid. Add a few drops of essential oil\* to the absorbant aromatherapy pad (provided) and close tray.

\* Only use 100% natural essential oils.

**WARNING**  
Do not add essential oils to the water tank. Do not use synthetic fragrances.

### Cleaning Instructions

We recommend you clean weekly for optimal performance. Refer to Owner's Manual for detailed instructions.

**WARNING**  
The water and heater may cause burns. Unplug the humidifier and let cool before cleaning.

### Filter Replacement

Filter Type	Suggested Replacement	Item Number
Water Filter	4 months*	WSF300-01

\*Filter Change Indicator on control panel will glow red to notify you to change.  
Change the water filter before restarting after long periods of non-use.

