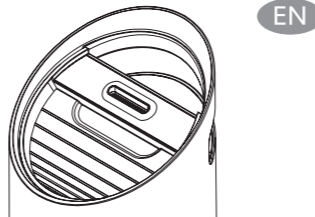


# TruSens™ N-300

WELCOME TO COMFORTABLE INDOOR AIR.

Control your air and achieve your optimal humidity with TruSens. Real-time feedback from a remote SensorPod™ helps your humidifier monitor and adjust to your ideal moisture levels.

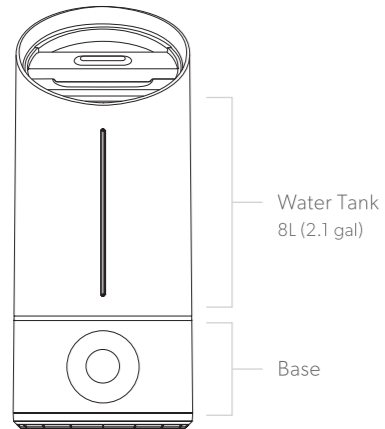


EN

**WARNING** Before operation, follow these steps and read our TruSens Owner's Manual at [www.trusens.com/support/owners-manuals/](http://www.trusens.com/support/owners-manuals/)

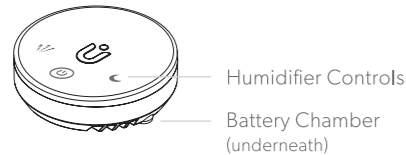
### Included in your box

- 1 Humidifier + Power Cord
- 1 SensorPod + 2 AAA Batteries
- 1 Water Filter
- 1 Absorbent Aromatherapy Pad



Water Tank  
8L (2.1 gal)

Base



Humidifier Controls

Battery Chamber  
(underneath)

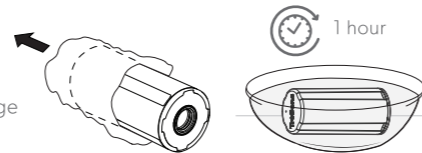
©2022 ACCO Brands. All rights reserved. TruSens™, U™ + Design and SensorPod™ are trademarks of ACCO Brands.

### Directions for use

**WARNING** Always unplug the humidifier before removing the water tank. Empty all water before cleaning water tank, replacing filter or moving the humidifier. Only place the water tank on a hard, solid surface; do not place on carpeting.

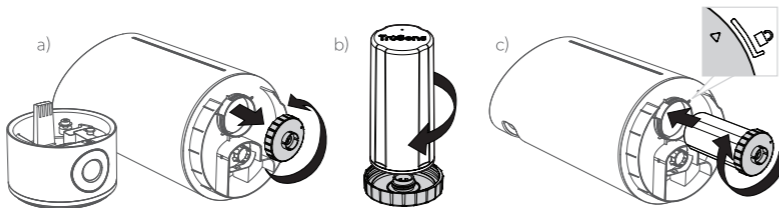
#### 1) Prepare the water filter

Remove plastic bag from filter. For optimal performance, submerge filter in bowl of water for 1 hour.



#### 2) Install the water filter

a) Unscrew grey cap. b) Secure the filter onto grey cap. c) **Tightly secure grey cap with filter onto water tank until indicator meets lock symbol.** Failure to properly tighten grey filter cap may result in leaking. Return water tank on top of base.

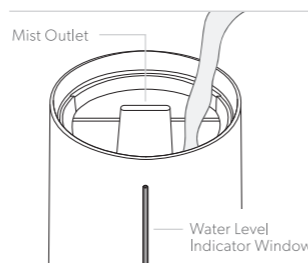


#### 3) Fill the water tank

Remove water tank lid and fill with room temperature water (preferably distilled) with pitcher.

**WARNING** Do not pour water into the mist outlet or directly into the base/reservoir.

**CAUTION:** Heavy object. To avoid injury always fill tank from the top and use care when lifting.



### 4) Set up

Place humidifier on a dry, firm, flat surface that is free from obstructions.

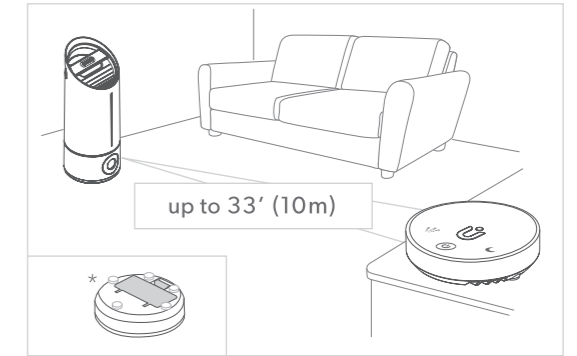
Note: Failure to properly tighten grey filter cap may result in leaking.

Open lid of battery chamber found on SensorPod (bottom) and insert 2 AAA batteries (provided).\*

SensorPod will automatically begin monitoring if humidifier is on.

For optimal results, place SensorPod on a tabletop or counter across the room, within line of sight of the humidifier.

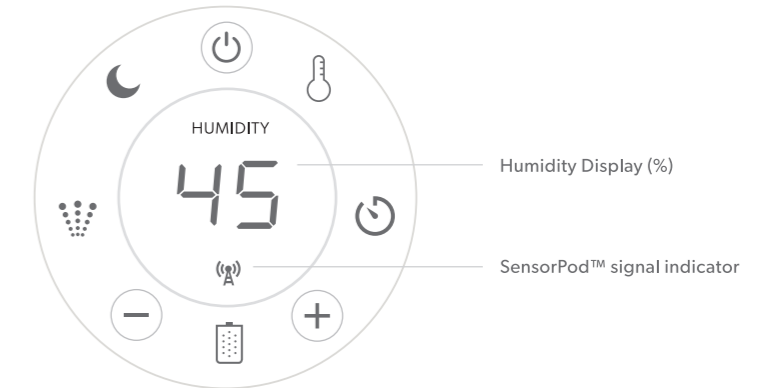
Control the humidifier with the touch buttons on SensorPod.



EN

### Control Panel

- Power: on/off
- Warm Mist: on/off
- Timer: 2h/4h/8h/12h
- /+ | Target Humidity: decrease/increase
- Filter Change Indicator
- Misting Speed Settings: 1/2/3/AUTO
- Dimmer: on/off



### Aromatherapy Use

Locate the Aromatherapy Tray (back of the base) and pull down the lid. Add a few drops of essential oil\* to the absorbant aromatherapy pad (provided) and close tray.

\* Only use 100% natural essential oils.

**WARNING** Do not add essential oils to the water tank. Do not use synthetic fragrances.

### Cleaning Instructions

We recommend you clean weekly for optimal performance. Refer to Owner's Manual for detailed instructions.

**WARNING** The water and heater may cause burns. Unplug the humidifier and let cool before cleaning.

### Filter Replacement

Filter Type	Suggested Replacement	Item Number
Water Filter	4 months*	WSF300-01

\*Filter Change Indicator on control panel will glow red to notify you to change. Change the water filter before restarting after long periods of non-use.



ACCO Brands Australia Pty Ltd | Locked Bag 50, Blacktown BC, NSW 2148

Phone: 1300 278 546 | Email: [enquiry.nsw@acco.com](mailto:enquiry.nsw@acco.com)

Support and Warranty Terms at [www.trusens.com](http://www.trusens.com)



Follow this link for instructions